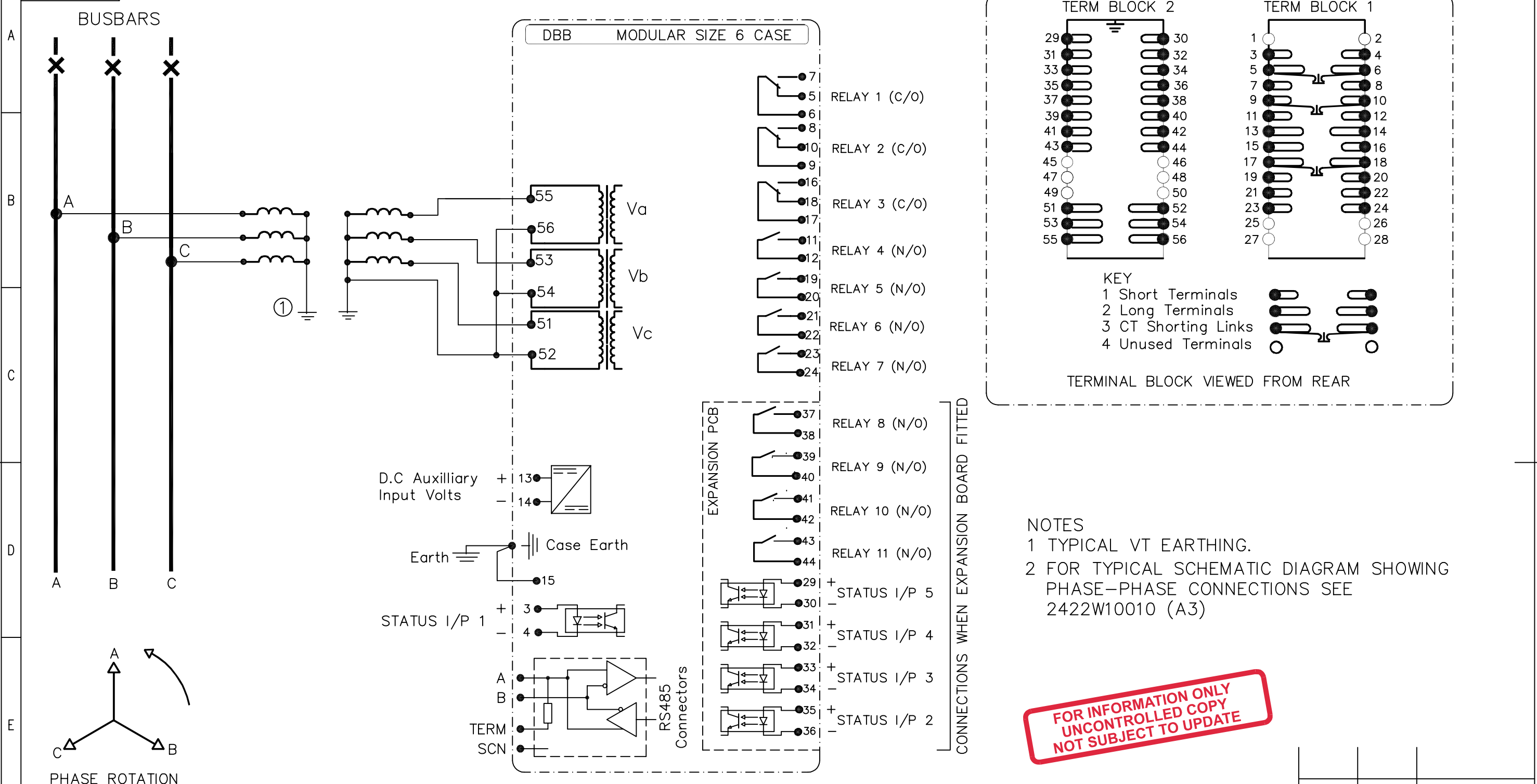


IF IN DOUBT ASK
DO NOT SCALE



NOTES

1 TYPICAL VT EARTHING.

2 FOR TYPICAL SCHEMATIC DIAGRAM SHOWING PHASE-PHASE CONNECTIONS SEE 2422W10010 (A3)

**FOR INFORMATION ONLY
UNCONTROLLED COPY
NOT SUBJECT TO UPDATE**

MATERIAL:

Dimensions in millimetres : Surface texture in micrometres.
Machine where marked ✓
For explanation of dimensions, tolerances, notes etc. see B.S.308.
Limit on untoleranced unmachined dimensions ± _____
Limits on untoleranced machined dimensions to B.S.4500;
i.e. up to 6±0.1; over 30 to 120±0.3; over 315±0.8;
over 6 to 30±0.2; over 120 to 315±0.5;
General unmachined angular tolerance ± _____

Finish: _____
Treatment: _____

Title:
TYPICAL SCHEMATIC DIAGRAM 3 PHASE VOLT. RELAY RS485
PHASE-NEUTRAL CONNECTIONS (OPTION B) ARGUS 8

**Reyrolle Protection
Hebburn.**

Original Scale:
NTS

First used on:
Similar Articles: 2422W10005
Supersedes:
Drg. No.
2422W10012

Copyright © 2005 Reyrolle Ltd.

1	04/11/05	CHANGE NOTED	△
ISSUE	DATE	NOTED	